



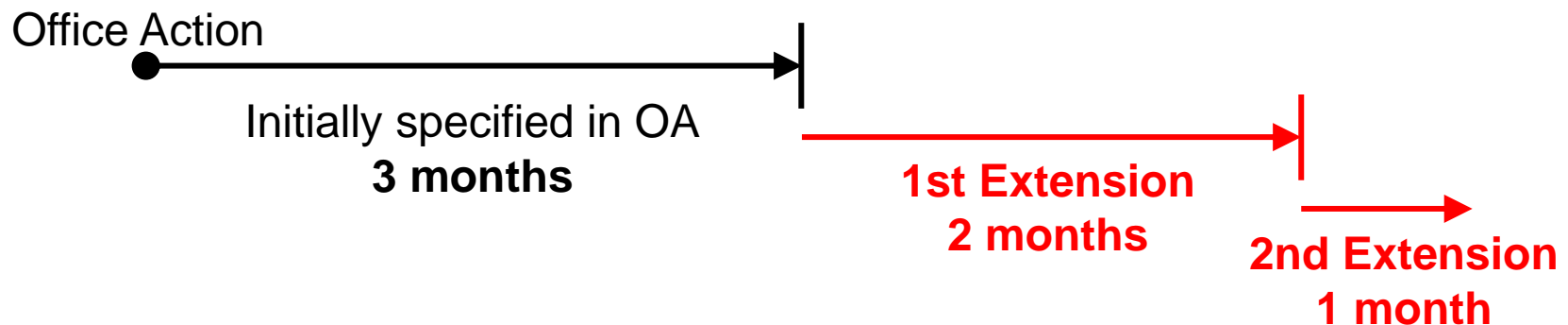
Extension of Time for Response (For Foreign Applicants)



Patent Applications: Examination

Two types of extensions are available.

Type A: before expiration of the time limit



Extensions need to be requested before expiration of time limit for response.
Extensions are granted without any reason.
Both extensions can be requested at a time.
Official Fee: JPY 2,100 for each extension

Patent Applications: Examination

Type B: after expiration of time limit



Extension needs to be requested within two months after expiration of time limit for response.

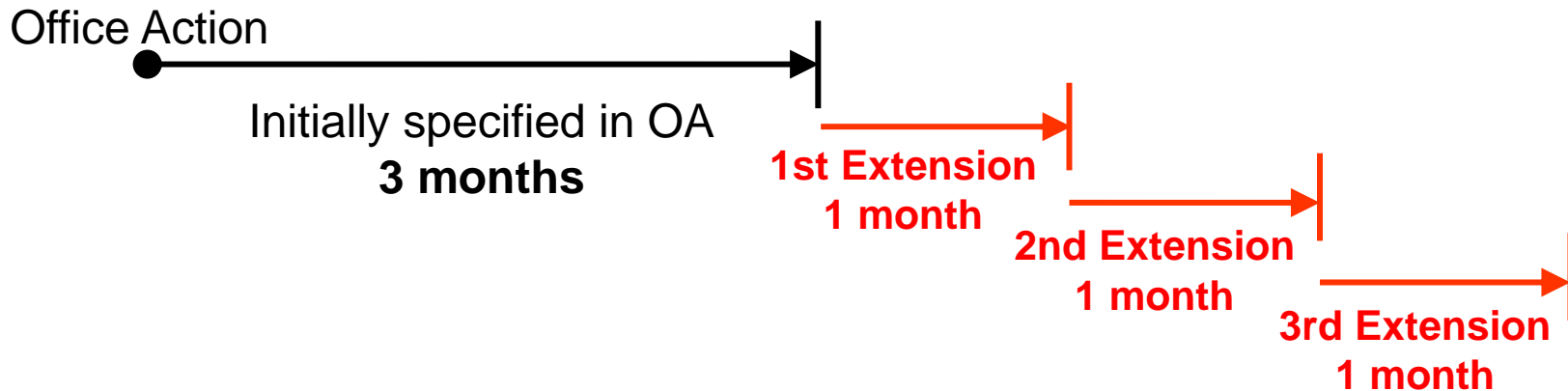
Extension is granted without any reason.

No extension is granted if a response has been filed promptly.

Official Fee: JPY 51,100

Patent Applications: Appeal

Extension is also available in the appeal procedure.



Extensions need to be requested before expiration of time limit for response.

Extensions are granted only for either one of the following reasons:

- 1) acquisition of experimental data for comparison with the prior art; and
- 2) translation of documents relating to the appeal.

Only one extension is granted for acquisition of experimental data.

Official Fee: JPY 2,100 for each extension

Design Applications: Examination

Two types of extensions are available.

Type A: before expiration of the time limit



Extension needs to be requested before expiration of time limit for response.
Extension is granted without any reason.
Official Fee: JPY 2,100

Design Applications: Examination

Type B: after expiration of time limit



Extension needs to be requested within two months after expiration of time limit for response.

Extension is granted without any reason.

No extension is granted if a response has been filed promptly.

Official Fee: JPY 7,200

Design Applications: Appeal

Extension is also available in the appeal procedure.



Extension needs to be requested before expiration of time limit for response.

Extension is granted without any reason.

Official Fee: JPY 2,100

Trademark Applications: Examination

Three types of extensions are available.

Type A: before expiration of the time limit



Extension needs to be requested before expiration of time limit for response.
Extension is granted without any reason.
Official Fee: JPY 2,100

Trademark Applications: Examination

Type B: after expiration of time limit



Extension needs to be requested within two months after expiration of initial time limit for response.

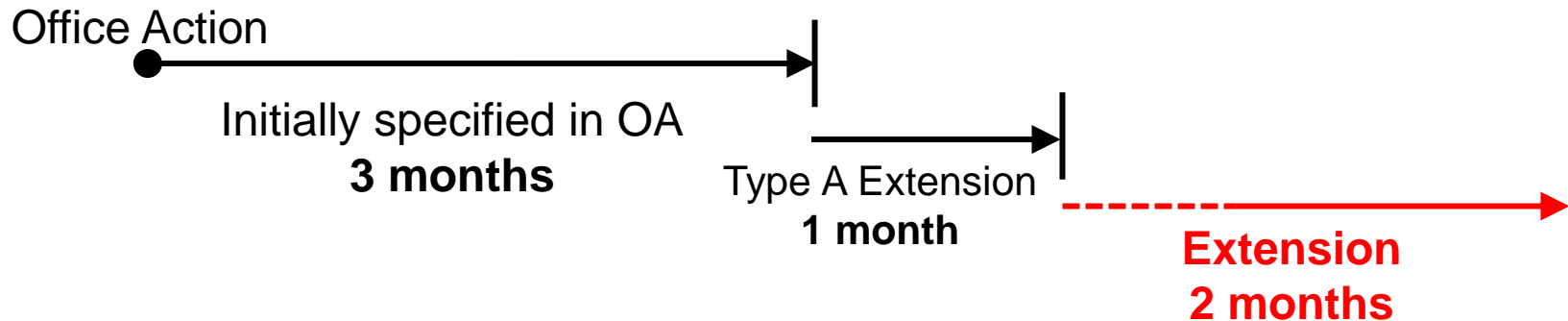
Extension is granted without any reason.

No extension is granted if a response has been filed promptly.

Official Fee: JPY 4,200

Trademark Applications: Examination

Type C: after expiration of time limit



Extension needs to be requested within two months after expiration of extended time limit (Type A) for response.

Extension is granted without any reason.

No extension is granted if a response has been filed promptly.

Official Fee: JPY 4,200

Trademark Applications: Appeal

Extension is also available in the appeal procedure.



Extension needs to be requested before expiration of time limit for response.

Extension is granted without any reason.

Official Fee: JPY 2,100



Thank you for your attention!!

